

# auto electrical parts

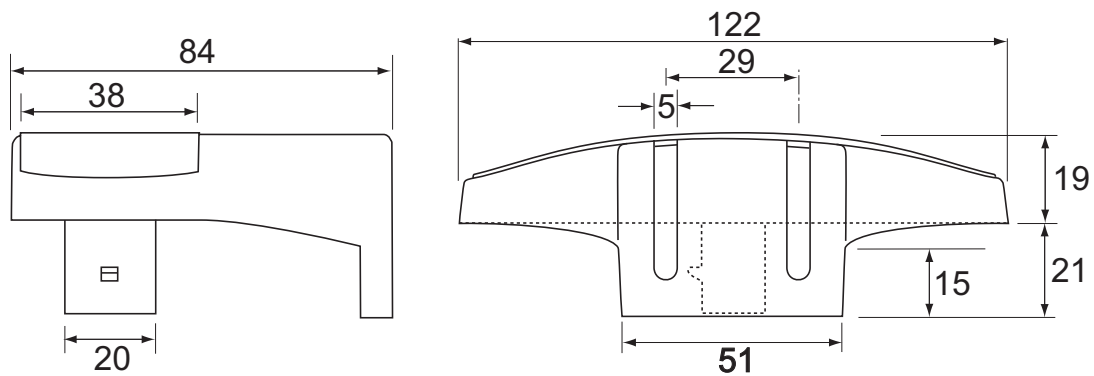
## Technical Information Sheet

### Part No. 0-171-11

12/24 volt amber LED side marker lamp with reflex reflector, bracket and plug. Requires female connector 0-011-62. I 122 x w 40 x h 84. Protected to IP67. ECE approved.



### Technical Drawing (not to scale)



### Specification

Type	Amber side marker lamp
Voltage rating	9 - 33 volt dc
Lens material	Acrylic
Body material	ABS
LEDs	4 (1.2W)
Connector	2 pin male 'Superseal'
Operating temp	-40°C to +85°C
Weight	70g
Dimensions	I 122 x w 40 x h 84mm (excluding connector)
Approvals	ECE
Protection	IP67

The information contained in this document is correct to the best of our knowledge at the time of printing. However, specifications may change at any time without notice.